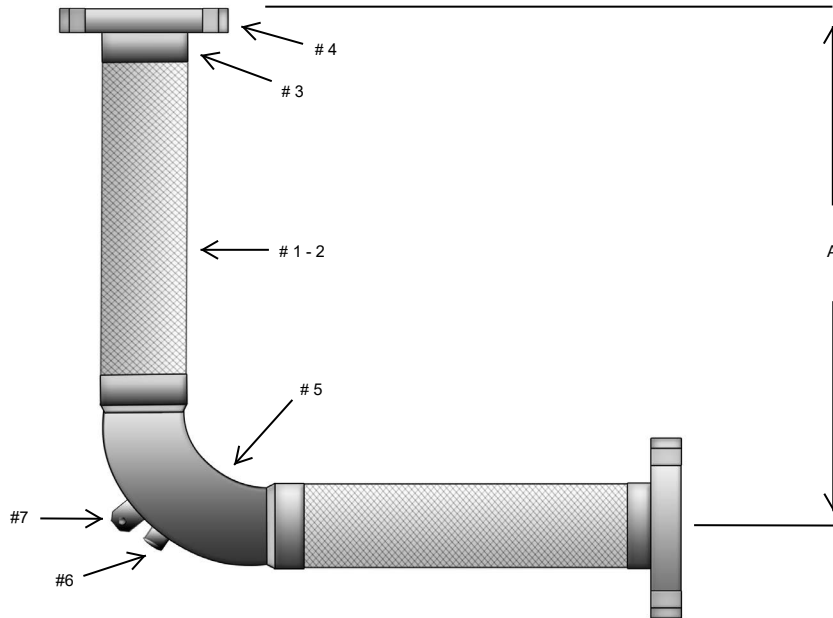


## DOG LEG FLG 2"



**MATERIALS**

- #1-2 HOSE: STAINLESS STEEL HOSE WITH 1-LAYER STAINLESS STEEL BRAID
- #3 BRAID BAND: STAINLESS STEEL
- #4 END FITTING: CARBON STEEL PLATE FLANGE
- #5 ELBOWS: CARBON STEEL SCH. 40  
\*12" ID AND LARGER ARE SCHEDULE STANDARD (STD)



#6 PORT (OPTIONAL):

#7 HANGER (OPTIONAL):

QTY	MODEL #	SIZE	"A" DIM.	WRK. PSIG	MAX TEST	@ TEMP.	LATERAL OFFSET
	TCH-SDL200482	2"	18 3/4"	370	555	70°F	2"
	TCH-SDL250482	2 1/2"	18 1/4"	390	585	70°F	2"
	TCH-SDL300482	3"	20"	250	375	70°F	2"
	TCH-SDL400482	4"	23 1/4"	210	315	70°F	2"
	TCH-SDL500482	5"	28 1/4"	167	251	70°F	2"
	TCH-SDL600482	6"	29 3/4"	165	248	70°F	2"
	TCH-SDL800482	8"	37 1/2"	220	330	70°F	2"
	TCH-SDL010482	10"	42"	175	263	70°F	2"
	TCH-SDL012482	*12"	47 1/4"	160	240	70°F	2"

TEMPERATURE DERATING FACTORS: MULTIPLY X WRK. PSIG									
200° F	250° F	300° F	350° F	400° F	500° F	600° F	700° F	800° F	900° F
0.94	0.92	0.88	0.86	0.83	0.78	0.74	0.7	0.66	0.62

DRAWN BY:

DRAWING NUMBER:

REV:

SIGNATURE:

DATE:

PO NUMBER:

PROJECT:

CUSTOMER:

NOTES: