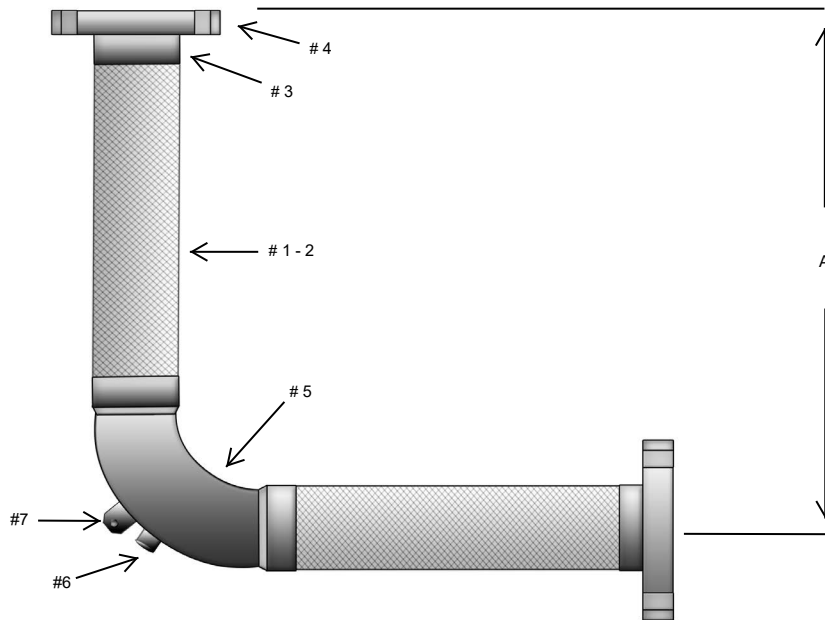


DOG LEG FLG 3"



MATERIALS

- #1-2 HOSE: STAINLESS STEEL HOSE WITH 1-LAYER STAINLESS STEEL BRAID
- #3 BRAID BAND: STAINLESS STEEL
- #4 END FITTING: CARBON STEEL PLATE FLANGE
- #5 ELBOWS: CARBON STEEL SCH. 40
*12" ID AND LARGER ARE SCHEDULE STANDARD (STD)



- #6 PORT (OPTIONAL):
- #7 HANGER (OPTIONAL):

QTY	MODEL #	SIZE	"A" DIM.	WRK. PSIG	MAX TEST	@ TEMP.	LATERAL OFFSET
	TCH-SDL200483	2"	22"	370	555	70°F	3"
	TCH-SDL250483	2 1/2"	21"	390	585	70°F	3"
	TCH-SDL300483	3"	23"	250	375	70°F	3"
	TCH-SDL400483	4"	26 1/2"	210	315	70°F	3"
	TCH-SDL500483	5"	32 1/2"	167	251	70°F	3"
	TCH-SDL600483	6"	34"	165	248	70°F	3"
	TCH-SDL800483	8"	42 3/4"	220	330	70°F	3"
	TCH-SDL010483	10"	47 1/2"	175	263	70°F	3"
	TCH-SDL012483	*12"	53 1/4"	160	240	70°F	3"

TEMPERATURE DERATING FACTORS: MULTIPLY X WRK. PSIG									
200° F	250° F	300° F	350° F	400° F	500° F	600° F	700° F	800° F	900° F
0.94	0.92	0.88	0.86	0.83	0.78	0.74	0.7	0.66	0.62

DRAWN BY:

DRAWING NUMBER:

REV:

SIGNATURE:

DATE:

PO NUMBER:

PROJECT:

CUSTOMER:

NOTES: