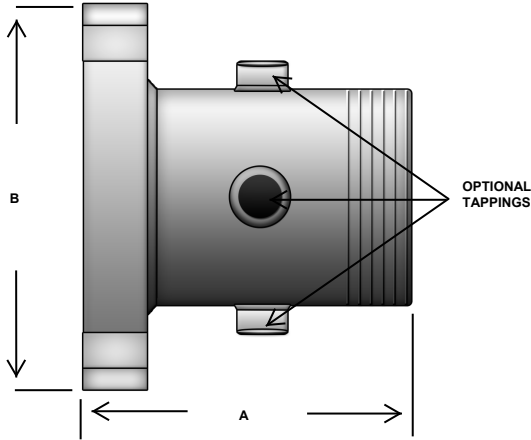
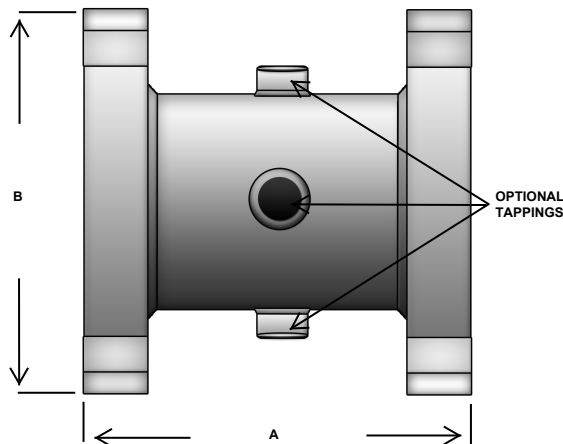
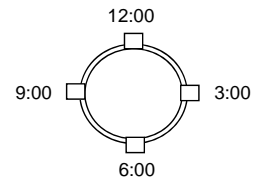


**STYLE FM - FF**



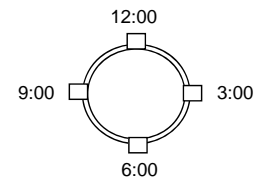
| <b>STYLE: FM</b>                    |    |        |       |                 |       |     |
|-------------------------------------|----|--------|-------|-----------------|-------|-----|
| <b>DIMENSIONS (NOMINAL)</b>         |    |        |       |                 |       |     |
| <b>150# PLATE FLANGE X MALE NPT</b> |    |        |       |                 |       |     |
| SIZE                                | A  | B      | BOLTS | PART NUMBER**** | PORTS | QTY |
| 2 1/2"                              | 6" | 7.00"  | 4     | FM250XXXX       |       |     |
| 3"                                  | 6" | 7.50"  | 4     | FM300XXXX       |       |     |
| 4"                                  | 6" | 9.00"  | 8     | FM400XXXX       |       |     |
| 5"                                  | 6" | 10.00" | 8     | FM500XXXX       |       |     |
| 6"                                  | 6" | 11.00" | 8     | FM600XXXX       |       |     |
| 8"                                  | 6" | 13.50" | 8     | FM800XXXX       |       |     |

|                         |                                       |
|-------------------------|---------------------------------------|
| <b>SPECIFICATIONS</b>   |                                       |
| PSI/TEMPERATURE RATING: | 125 PSIG @ 250 F.                     |
| BODY MATERIAL:          | SCH. 40 STEEL PIPE                    |
| BODY TAPPINGS:          | 1/4" - 3/4" NPT 150# FEMALE COUPLINGS |
| FLANGES:                | 150# PLATE FLANGE                     |



| <b>STYLE: FF</b>                        |    |        |       |                 |       |     |
|---|----|--------|-------|-----------------|-------|-----|
| <b>DIMENSIONS (NOMINAL)</b>             |    |        |       |                 |       |     |
| <b>150# PLATE FLANGE X PLATE FLANGE</b> |    |        |       |                 |       |     |
| SIZE                                    | A  | B      | BOLTS | PART NUMBER**** | PORTS | QTY |
| 2 1/2"                                  | 6" | 7.00"  | 4     | FF250XXXX       |       |     |
| 3"                                      | 6" | 7.50"  | 4     | FF300XXXX       |       |     |
| 4"                                      | 6" | 9.00"  | 8     | FF400XXXX       |       |     |
| 5"                                      | 6" | 10.00" | 8     | FF500XXXX       |       |     |
| 6"                                      | 6" | 11.00" | 8     | FF600XXXX       |       |     |
| 8"                                      | 6" | 13.50" | 8     | FF800XXXX       |       |     |

|                         |                                       |
|-------------------------|---------------------------------------|
| <b>SPECIFICATIONS</b>   |                                       |
| PSI/TEMPERATURE RATING: | 125 PSIG @ 250 F.                     |
| BODY MATERIAL:          | SCH. 40 STEEL PIPE                    |
| BODY TAPPINGS:          | 1/4" - 3/4" NPT 150# FEMALE COUPLINGS |
| FLANGES:                | 150# PLATE FLANGE                     |



\*\*LAST FOUR DIGITS XXXX ARE FOR OPTIONAL PORTS & LOCATION. MUST FILL IN LAST FOUR DIGITS .

|  |       |      |      |      |  |
|--|-------|------|------|------|--|
|  | 1ST   | 2ND  | 3RD  | 4TH  | 0= NO TAPPING<br>1= 1/4" TAPPING<br>2= 1/2" TAPPING<br>3= 3/4" TAPPING |
|  | 12:00 | 3:00 | 6:00 | 9:00 |  |
|  | X     | X    | X    | X    |  |
|  |       |      |      |      |  |

DRAWN BY:

DRAWING NUMBER:

REV:

SIGNATURE:

DATE:

PO NUMBER:

PROJECT:

CUSTOMER:

NOTES: