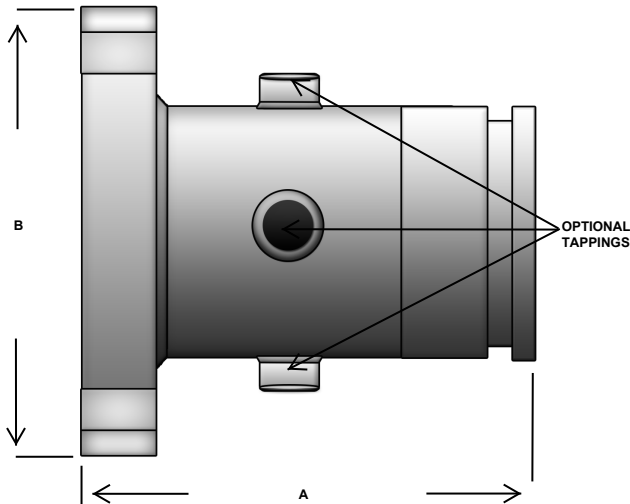
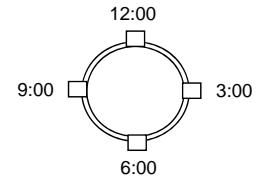


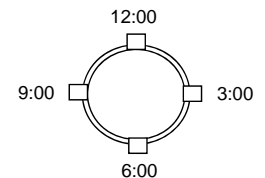
| STYLE: FW | | | | | | |
|-------------------------------------|-------|--------|-------|-----------------|-------|-----|
| DIMENSIONS (NOMINAL) | | | | | | |
| 150# PLATE FLANGE X WELD END | | | | | | |
| SIZE | A | B | BOLTS | PART NUMBER**** | PORTS | QTY |
| 2 1/2" | 6.00" | 7.00" | 4 | FW250XXXX | | |
| 3" | 6.00" | 7.50" | 4 | FW300XXXX | | |
| 4" | 6.00" | 9.00" | 8 | FW400XXXX | | |
| 5" | 6.00" | 10.00" | 8 | FW500XXXX | | |
| 6" | 6.00" | 11.00" | 8 | FW600XXXX | | |
| 8" | 6.00" | 13.50" | 8 | FW800XXXX | | |

| | |
|-------------------------|---|
| SPECIFICATIONS | |
| PSI/TEMPERATURE RATING: | 125 PSIG @ 250° F |
| BODY MATERIAL: | SCH. 40 STEEL PIPE |
| BODY TAPPINGS: | 1/4"- 3/4" NPT 150# FEMALE COUPLINGS |
| FLANGES: | 150# PLATE FLANGE |



| STYLE: FG | | | | | | |
|---------------------------------------|-------|--------|-------|-----------------|-------|-----|
| DIMENSIONS (NOMINAL) | | | | | | |
| 150# PLATE FLANGE X GROOVE END | | | | | | |
| SIZE | A | B | BOLTS | PART NUMBER**** | PORTS | QTY |
| 2 1/2" | 6.00" | 7.00" | 4 | FG250XXXX | | |
| 3" | 6.00" | 7.50" | 4 | FG300XXXX | | |
| 4" | 6.00" | 9.00" | 8 | FG400XXXX | | |
| 5" | 6.00" | 10.00" | 8 | FG500XXXX | | |
| 6" | 6.00" | 11.00" | 8 | FG600XXXX | | |
| 8" | 6.00" | 13.50" | 8 | FG800XXXX | | |

| | |
|-------------------------|---|
| SPECIFICATIONS | |
| PSI/TEMPERATURE RATING: | 125 PSIG @ 250° F |
| BODY MATERIAL: | SCH. 40 STEEL PIPE |
| BODY TAPPINGS: | 1/4"- 3/4" NPT 150# FEMALE COUPLINGS |
| FLANGES: | 150# PLATE FLANGE |



**LAST FOUR DIGITS XXXX ARE FOR OPTIONAL PORTS & LOCATION. MUST FILL IN LAST FOUR DIGITS .

| | | | | |
|-------|------|------|------|-----------------|
| 1ST | 2ND | 3RD | 4TH | |
| 12:00 | 3:00 | 6:00 | 9:00 | 0= NO TAPPING |
| X | X | X | X | 1= 1/4" TAPPING |
| | | | | 2= 1/2" TAPPING |
| | | | | 3= 3/4" TAPPING |

DRAWN BY:

DRAWING NUMBER:

REV:

SIGNATURE:

DATE:

PO NUMBER:

PROJECT:

CUSTOMER:

NOTES: