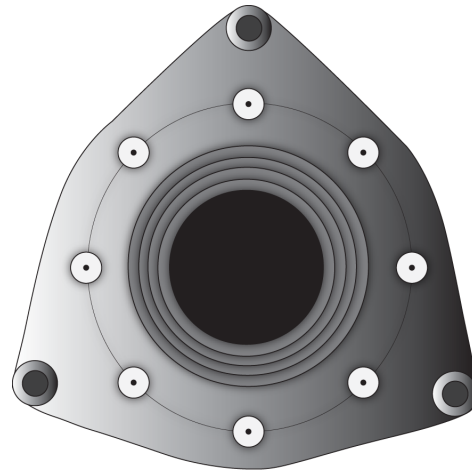
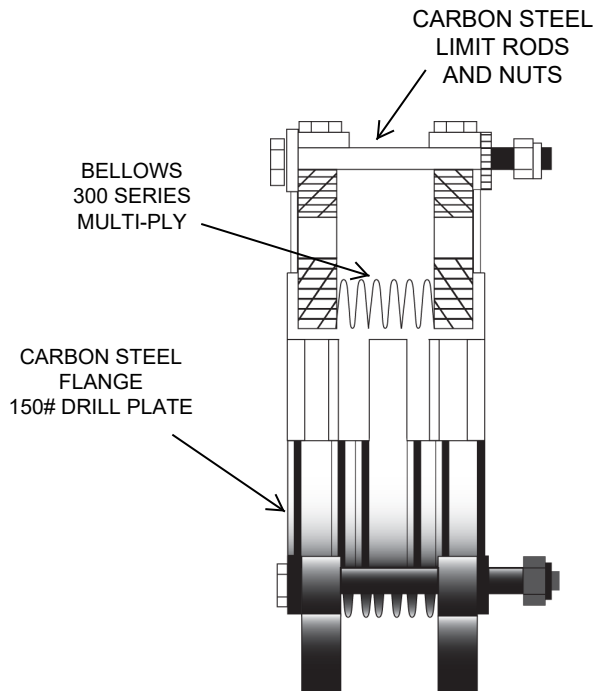


MPBR



NOTE: FOR PROPER OPERATION ALL PIPING MUST BE PROPERLY ANCHORED AND GUIDED

MAX TEMP : 850°F

DESIGN DATA:
AXIAL COMPRESSION 1"
AXIAL EXTENSION 3/8"
LATERAL OFFSET 1/8" - 5/16"
DEPENDING ON SIZE

QTY	PIPE SIZE	MODEL NUMBER	OVERALL LENGTH	WORKING PRESSURE		EFFECTIVE AREA IN. ²	APROX. WEIGHT
				70° F	360° F		
	2	MPBR200	6"	225	210	7	21
	2 1/2	MPBR250	6"	225	210	7	25
	3	MPBR300	6"	225	210	9	27
	4	MPBR400	6"	225	210	15	36
	5	MPBR500	6"	225	210	24	41
	6	MPBR600	6"	225	210	33	47
	8	MPBR800	6"	225	210	59	74
	10	MPBR010	8"	225	210	94	99
	12	MPBR012	8"	225	210	134	163
	14	MPBR014	8"	225	210	171	249
	16	MPBR016	8"	225	210	220	243

DRAWN BY:

DRAWING NUMBER:

REV:

SIGNATURE:

DATE:

PO NUMBER:

PROJECT:

CUSTOMER:

NOTES: