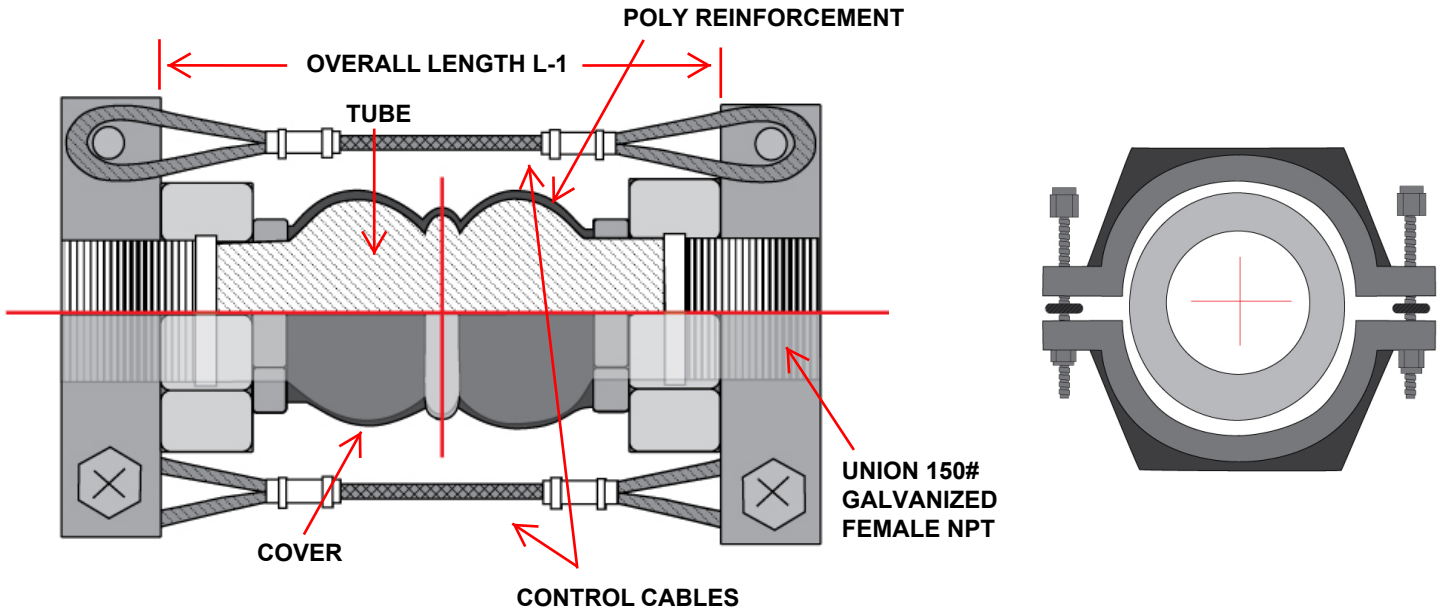


**MSFU**



**CONSTRUCTION**

**EPDM TUBE AND COVER**

DESIGN DATA:	
MAXIMUM PRESSURE:	225 PSIG
NEGATIVE PRESSURE:	26" HG VACUUM
EPDM:	up to 250° F

Pressure rating is based on 170°F operating temperature

**\*EPDM acceptable for Lead Free** 

NOTE: PIPING MUST BE ANCHORED. PART MUST BE INSTALLED AT 8" NEUTRAL LENGTH.

CUSTOM REF #	QTY	MODEL NUMBER	PIPE SIZE	L-1 JOINT LENGTH	LATERAL DEF.	AXIAL EXT.	AXIAL COMP.	ANGULAR DEF.	WT. LBS.
		MSFU-2 3/4	3/4"	8"	7/8"	1/4"	7/8"	32°	2
		MSFU-2-1	1"	8"	7/8"	1/4"	7/8"	25°	3
		MSFU-2-1 1/4	1 1/4"	8"	7/8"	1/4"	7/8"	21°	4
		MSFU-2-1 1/2	1 1/2"	8"	7/8"	1/4"	7/8"	17°	5
		MSFU-2-2	2"	8"	7/8"	1/4"	7/8"	13°	6
		MSFU-2-2 1/2	2 1/2"	8"	7/8"	1/4"	7/8"	11°	10

DRAWN BY:

DRAWING NUMBER:

REV:

SIGNATURE:

DATE:

PO NUMBER:

PROJECT:

CUSTOMER:

NOTES: