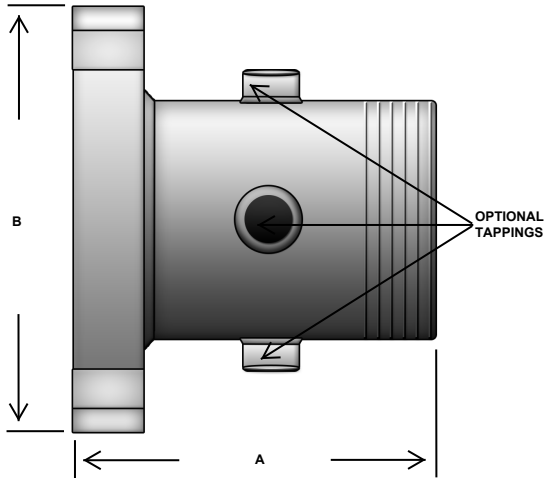
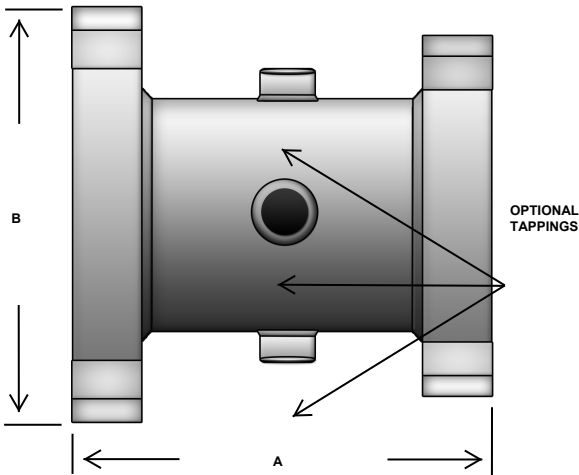
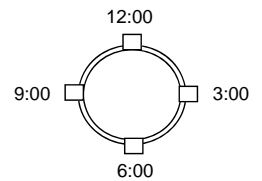


STYLE RFM - RFF



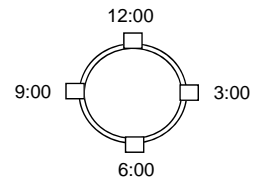
STYLE: RFM									
DIMENSIONS (NOMINAL)									
REDUCING FLANGE X MALE						PART			
PIPE SIZE	FLG END	NPT END	A	B	BOLTS	NUMBER**	PORTS	QTY	
1 1/4"	2 1/2"	1 1/4"	6.00"	7.00"	4/4	RFM2512XXXX			
1 1/2"	2 1/2"	1 1/2"	6.00"	7.00"	4/4	RFM2515XXXX			
2"	2 1/2"	2"	6.00"	7.00"	8/4	RFM2520XXXX			
1 1/2"	3"	1 1/2"	6.00"	7.50"	8/8	RFM3015XXXX			
2"	3"	2"	6.00"	7.50"	8/8	RFM3020XXXX			
2"	4"	2"	6.00"	9.00"	8/8	RFM4020XXXX			

SPECIFICATIONS	
PSI/TEMPERATURE RATING:	125 PSIG @ 250 F.
BODY MATERIAL:	SCH. 40 STEEL PIPE
BODY TAPPINGS:	1/4"- 3/4" NPT 150# FEMALE COUPLINGS
FLANGES:	150# PLATE FLANGE



STYLE: RFF									
DIMENSIONS (NOMINAL)									
150# PLATE FLANGE X PLATE FLANGE									
STRAIGHT REDUCER FLG X FLG						PART			
PIPE SIZE	LG END	SML END	A	B	C	BOLTS	NUMBER***	PORTS	QTY
2"	2 1/2"	2"	6.00"	7.00"	6.00"	4/4	RFF250XXXX		
2 1/2"	3"	2 1/2"	6.00"	7.50"	7.00"	4/4	RFF300XXXX		
3"	4"	3"	6.00"	9.00"	7.50"	8/4	RFF400XXXX		
4"	5"	4"	6.00"	10.00"	9.00"	8/8	RFF500XXXX		
5"	6"	5"	6.00"	11.00"	10.00"	8/8	RFF600XXXX		
6"	8"	6"	6.00"	13.50"	11.00"	8/8	RFF800XXXX		

SPECIFICATIONS	
PSI/TEMPERATURE RATING:	125 PSIG @ 250 F.
BODY MATERIAL:	SCH. 40 STEEL PIPE
BODY TAPPINGS:	1/4"- 3/4" NPT 150# FEMALE COUPLINGS
FLANGES:	150# PLATE FLANGE



**LAST FOUR DIGITS XXXX ARE FOR OPTIONAL PORTS & LOCATION. MUST FILL IN LAST FOUR DIGITS .

	1ST	2ND	3RD	4TH	
	12:00	3:00	6:00	9:00	0= NO TAPPING
	X	X	X	X	1= 1/4" TAPPING
					2= 1/2" TAPPING
					3= 3/4" TAPPING

DRAWN BY:

DRAWING NUMBER:

REV:

SIGNATURE:

DATE:

PO NUMBER:

PROJECT:

CUSTOMER:

NOTES: