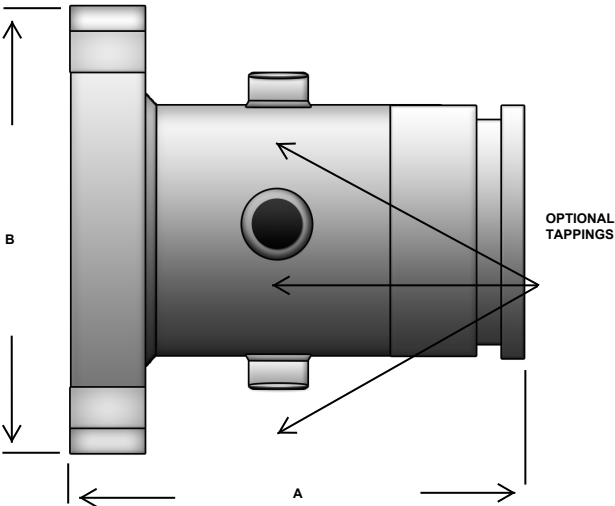
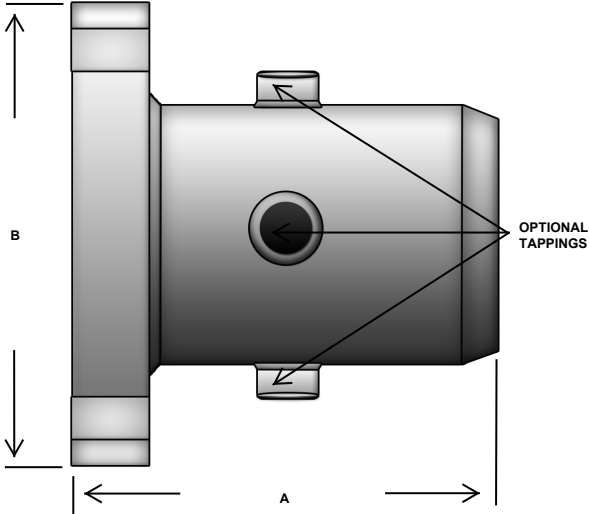




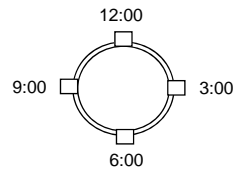
TWIN CITY HOSE, INC.

STYLE RFW - RFG



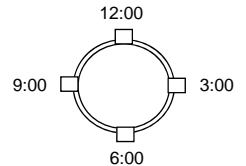
STYLE: RFW									
DIMENSIONS (NOMINAL)									
REDUCING FLG X WELD END						PART			
PIPE SIZE	FLG END	WELD END	A	B	BOLTS	NUMBER****	PORTS	QTY	
1 1/4"	2 1/2"	1 1/4"	6.00"	7.00"	4/4	RFW2512XXXX			
1 1/2"	2 1/2"	1 1/2"	6.00"	7.00"	4/4	RFW2515XXXX			
2"	2 1/2"	2"	6.00"	7.00"	8/4	RFW2520XXXX			
1 1/2"	3"	1 1/2"	6.00"	7.50"	8/8	RFW3015XXXX			
2"	3"	2"	6.00"	7.50"	8/8	RFW3020XXXX			
2"	4"	2"	6.00"	9.00"	8/8	RFW4020XXXX			

SPECIFICATIONS	
PSI/TEMPERATURE RATING:	125 PSIG @ 250 F.
BODY MATERIAL:	SCH. 40 STEEL PIPE
BODY TAPPINGS:	1/4"- 3/4" NPT 150#
FLANGES:	150# PLATE FLANGE FEMALE COUPLINGS



STYLE: RFG									
DIMENSIONS (NOMINAL)									
REDUCING FLG X GROOVE END						PART			
PIPE SIZE	FLG END	GROOVE END	A	B	BOLTS	NUMBER****	PORTS	QTY	
1 1/4"	2 1/2"	1 1/4"	6.00"	7.00"	4/4	RFG2512XXXX			
1 1/2"	2 1/2"	1 1/2"	6.00"	7.00"	4/4	RFG2515XXXX			
2"	2 1/2"	2"	6.00"	7.00"	8/4	RFG2520XXXX			
1 1/2"	3"	1 1/2"	6.00"	7.50"	8/8	RFG3015XXXX			
2"	3"	2"	6.00"	7.50"	8/8	RFG3020XXXX			
2"	4"	2"	6.00"	9.00"	8/8	RFG4020XXXX			

SPECIFICATIONS	
PSI/TEMPERATURE RATING:	125 PSIG @ 250 F.
BODY MATERIAL:	SCH. 40 STEEL PIPE
BODY TAPPINGS:	1/4"- 3/4" NPT 150#
FLANGES:	150# PLATE FLANGE



**LAST FOUR DIGITS XXXX ARE FOR OPTIONAL PORTS & LOCATION. MUST FILL IN LAST FOUR DIGITS .	1ST	2ND	3RD	4TH	0= NO TAPPING
	12:00	3:00	6:00	9:00	1= 1/4" TAPPING
	X	X	X	X	2= 1/2" TAPPING
					3= 3/4" TAPPING

DRAWN BY:

DRAWING NUMBER:

REV:

SIGNATURE:

DATE:

PO NUMBER:

PROJECT:

CUSTOMER:

NOTES: