

SPECIALTY APPLICATION HOSE ASSEMBLIES

JACKETED AND TRACED HOSE ASSEMBLIES

We specialize in fabricating custom and specialty application metal hose assemblies. TCH can fabricate jacketed and traced assemblies built to exact specifications that are available in an assortment of materials and end fittings. Jacketed and traced hose assemblies are used to convey a variety of viscous products including resins, polymers, sulfur and asphalt. Both types of assemblies will have ports at either end to hook up steam or hot oil to heat the media being conveyed.

Flexible Metal Jacketed & Traced Hose Assemblies:

BUY **AMERICAN**
ACT COMPLIANT

ADVANTAGES

- Increase flow of viscous media
- Pipe system misalignment
- Media safety containment
- High PSI and temperature capacity



APPLICATIONS



- Tanker or Rail Car Unloading
- ASPHALT / Hot Mix Plants
- Food / Beverage Industries
- Cosmetic Manufactures
- Chemical / Pharmaceutical Use

Jacketed Assembly



Traced Assembly



THESE ASSEMBLIES ARE MANUFACTURED TO YOUR SPECIFICATIONS. WORKING PRESSURES VARY PER APPLICATION. CONSULT FACTORY FOR DETAILS.

MATERIALS

- Stainless Steel Hose and Braid
- Carbon Steel or Stainless Steel Fittings

SIZES

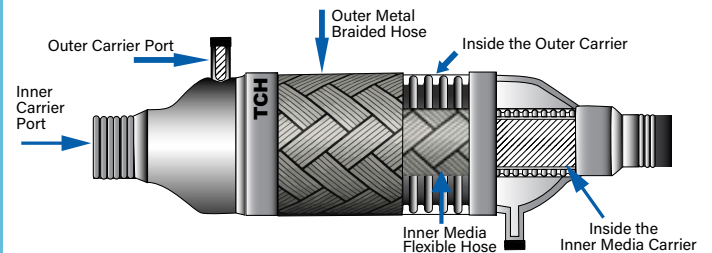
- Stock and custom lengths and diameters
- Single or double braid configurations

END FITTINGS

- Variety of end fittings (male and female pipe threads, unions, flanges, etc.)

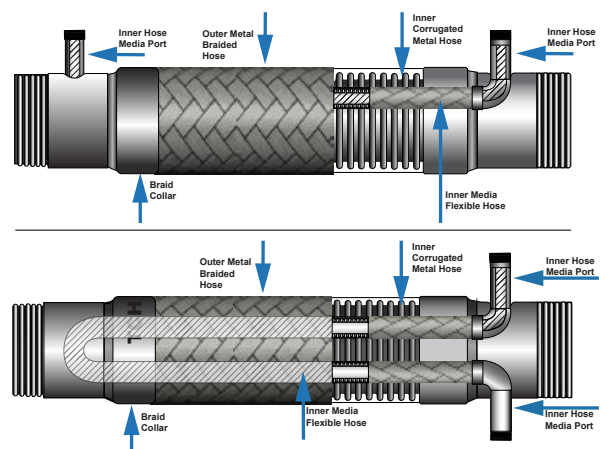
Jacketed Hose Assemblies:

Jacketed assemblies consist of a flexible metal inner (core) hose and a larger diameter flexible metal jacket (outer core) hose.



Traced Hose Assemblies:

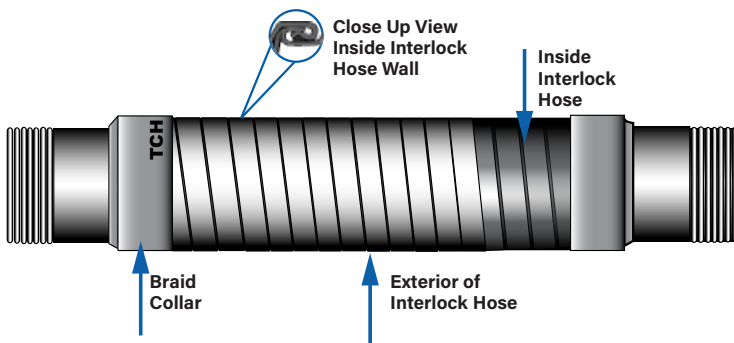
A traced hose assembly is a hose built to the mating pipe size or larger with a smaller hose(s) running through it, to convey heat to the media of the center hose.



SPECIALTY APPLICATION HOSE ASSEMBLIES

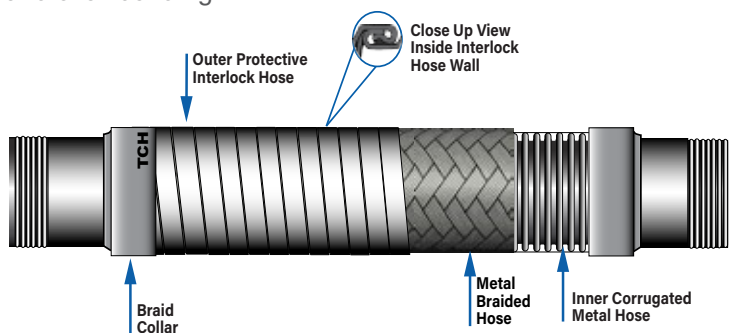
INTERLOCK, LINED AND GUARDED TRANSFER HOSE ASSEMBLIES

Interlock strip-wound metal hose is a heavy-duty hose made from strip of galvanized or stainless steel. The strip is profiled and helically wound around a mandrel. The helical coils are interconnected but flexibility is maintained, creating a durable yet flexible hose. Interlock strip-wound hoses are not only extremely flexible and strong, but also offer pressure resistance as well as excellent chemical and thermal stability. Interlock strip-wound hose can be used as a guard, lining, exhaust hose or for the transfer of dry bulk materials. It can also be used for high temperature viscous applications. Please advise that due to their loose interlock structure, interlock strip-wound hoses are leak resistant but not 100% leak-tight. Because of this, they are often used as an inner lining hose within another hose or as a protective guard shielding an inner hose.



Guarded Hose:

Guarded hose assemblies consist of an external interlock flexible metal armor cover and an inner media-carrying metal hose. The protective covering guards the inner hose against premature failure due to rough handling, external abrasion and over-bending.



MATERIALS

Strip-Wound Interlock Hose:

- Galvanized steel
 - 300 series stainless steel
- * Packed or unpacked option available

Wire Braided Hose:

- Stainless steel (304, 321, or 316)
- Bronze

SIZES

- Stock and custom lengths and diameters
- Single or double braid configurations

END FITTINGS

- Carbon steel
- Stainless steel

Line Transfer Hose:

Lined transfer hose is comprised of a heavy duty strip-wound interlock inner hose and an outer flexible braided metal hose. This hose assembly is designed for high temperature viscous fluid applications and media being conveyed at a high velocity. The flexibility of the hose is designed to withstand premature failure due to excessive vibration caused by rapid media flow. End fittings are expertly welded on to allow for easy installation.

