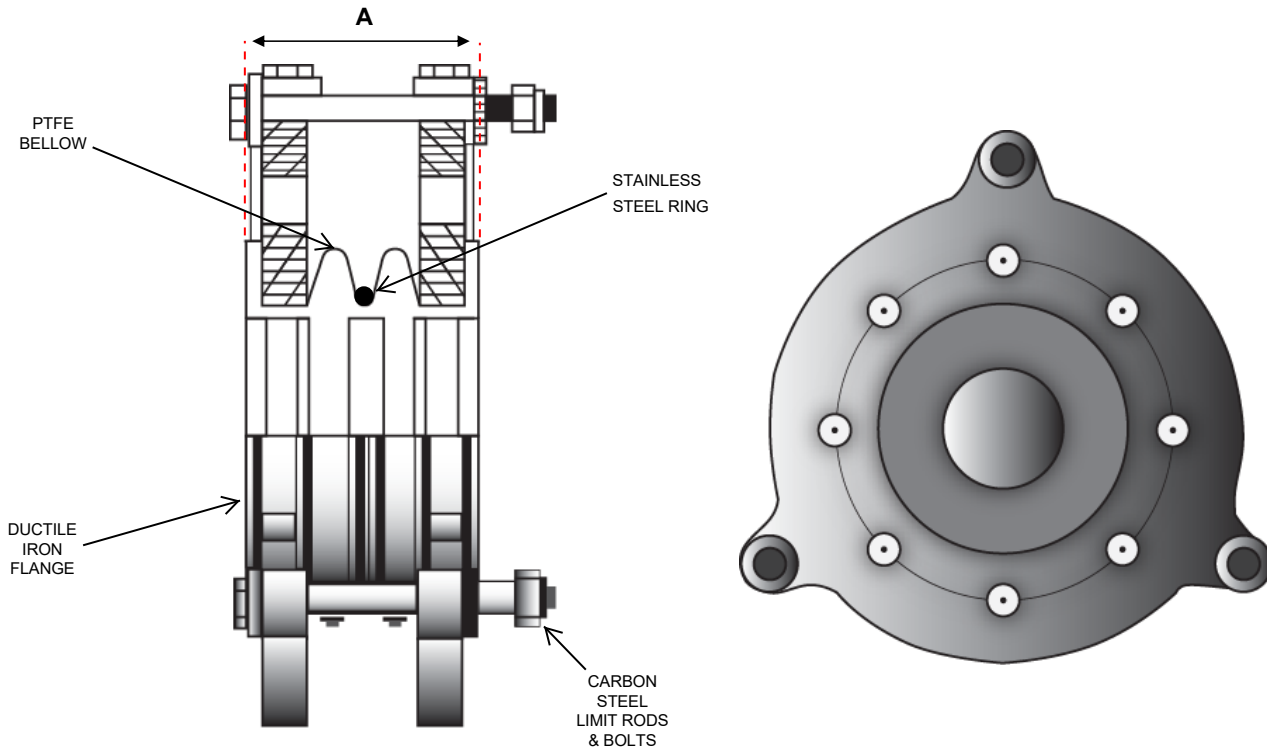


T2 PTFE EXPANSION JOINT



NOTE: FOR PROPER OPERATION ALL PIPING MUST BE PROPERLY ANCHORED AND GUIDED

QTY	I.D.	MODEL NUMBER	"A" OAL	AXIAL MOVEMENT	LATERAL MOVEMENT	ANGULAR DEFLECTION	PSIG @ 70° F	WT. LBS.
1		T2-100	1.375"	0.25"	0.125"	7°	185	2
1.5		T2-150	1.375"	0.25"	0.125"	7°	185	3
2		T2-200	1.563"	0.25"	0.125"	7°	185	7
3		T2-300	2.25"	0.375"	0.188"	7°	185	12
4		T2-400	2.625"	0.5"	0.25"	7°	185	18
6		T2-600	2.75"	0.5"	0.25"	7°	185	29
8		T2-800	4"	0.5"	0.25"	7°	164	47
10		T2-1000	5.25"	0.5"	0.25"	7°	164	64
12		T2-1200	6"	0.5"	0.25"	7°	59	88

DRAWN BY:

DRAWING NUMBER:

REV:

SIGNATURE:

DATE:

PO NUMBER:

PROJECT:

CUSTOMER:

NOTES: